

AC-800 Diaphragm Meter



Compact, high-capacity positive displacement meter designed for commercial and industrial applications at pressures up to 25 psig and flow rates to 800 SCFH at 1/2" differential pressure

Features

- Die-cast aluminum case
- High-performance ball bearing crank frame for excellent sustained accuracy
- Molded, convoluted diaphragms for smooth operation and long life
- Rigid, reinforced flag rods for positive alignment and sustained accuracy
- Graphite-filled phenolic valves to minimize wear
- Long-life, low friction, grommet seals
- Single-coat polyester primer with high solids polyurethane top coat
- Security seals that indicate tampering
- 8.25" center-to-center connections
- 25 psig (1724 mBar) Maximum Allowable Operating Pressure (MAOP)

Advantages

- Temperature compensation available from -30°F to 140°F (-34°C to 60°C)
- 800 SCFH (22.7 m³/h) (0.60 specific gravity gas) at 1/2-inch W.C. differential
- AMI/AMR compatible
- Meets the performance criteria of ANSI B109.2

Options

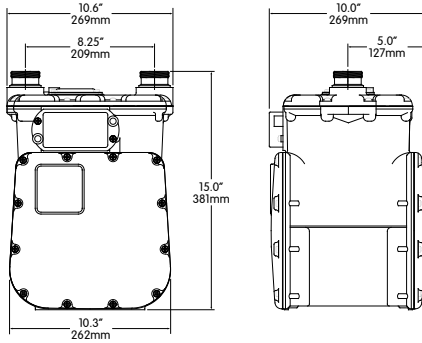
- Regular or Temperature Compensated
- Pointer or odometer index
- 2ft³ or 0.05m³ drive
- 20 LT, 30 LT, 45 LT and other connection sizes
- Pressure compensating indexes
- Standard or UV protected index covers
- Meter bars
- Connection sets
- Remote Volume Pulsers

Applications

The AC-800 is ideally suited for commercial and industrial installations. It is unequalled for accuracy retention and for life cycle maintenance economies. The compact, lightweight design facilitates installation by a single technician, helping to reduce your costs and possibility of injury.

AC-800 Diaphragm Meter

Weight = 21 lbs.



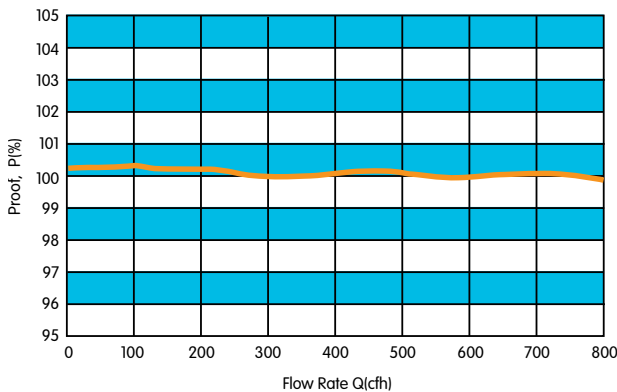
Capacities (0.60 specific gravity gas)

Line Pressure psig (mbar)	Differential Inches W.C. (mbar)	Capacity SCFH (m ³ /h)
0.25 (17)	0.5" (1.2)	800 ^{1,2} (22.7)
0.25 (17)	2" (5)	1700 (48.1)
1 (69)	2" (5)	1844 (52.2)
2 (138)	2" (5)	1905 (53.9)
5 (345)	2" (5)	2107 (59.7)
10 (680)	2" (5)	2405 (68.1)
15 (1035)	2" (5)	2658 (75.3)
20 (1380)	2" (5)	2903 (82.2)
25 (1724)	2" (5)	3120 (88.6)

1 - Propane - 397 cfh (11.2 m³/h)

2 - Butane - 347 cfh (9.8 m³/h)

AC-800 Proof Curve



About Elster Gas

Elster Gas is a world leader in gas measurement and gas safety control equipment, supplying a global base in more than 110 countries. With one of the most extensive utility measurement bases in the world and more than 75 million gas metering devices deployed over the last 10 years alone, Elster's products enable customers to efficiently measure, manage, and control natural gas resources across the complete value chain.



SAI GLOBAL
ISO 14001
Environmental



SAI GLOBAL
OHSAS 18001
Health & Safety



SAI GLOBAL
ISO 9001
Quality

Elster American Meter Company, LLC
2221 Industrial Road
Nebraska City, NE 68410
USA

T +1 402 873 8200
F +1 402 873 7616

www.elster-americanmeter.com

Elster Canadian Meter Company, LLC

T +1 905 634 4895
F +1 905 634 6705

www.elster-canandianmeter.com

© 2015 by Elster. All rights reserved. Information contained herein is subject to change without notice. Contact your Elster representative for the most current product information.

Elster and Elster Logo are trademarks of Elster American Meter Company LLC.
EAM-DS3000 - 07/15
Supersedes EAM-DS8000-EN-P